

ATC 0805 LPF Series High Performance Thin Film Low Pass Filter

Features:

- Sharp Cut-off Response
- Excellent Stop-band rejection
- Characteristic Impedance: 50Ω
- No External Matching
- Low Insertion Loss
- Operating Temp: -40°C to +85°C
- Low Profile, SMT EIA Package
- Pb Free / RoHS Compliant

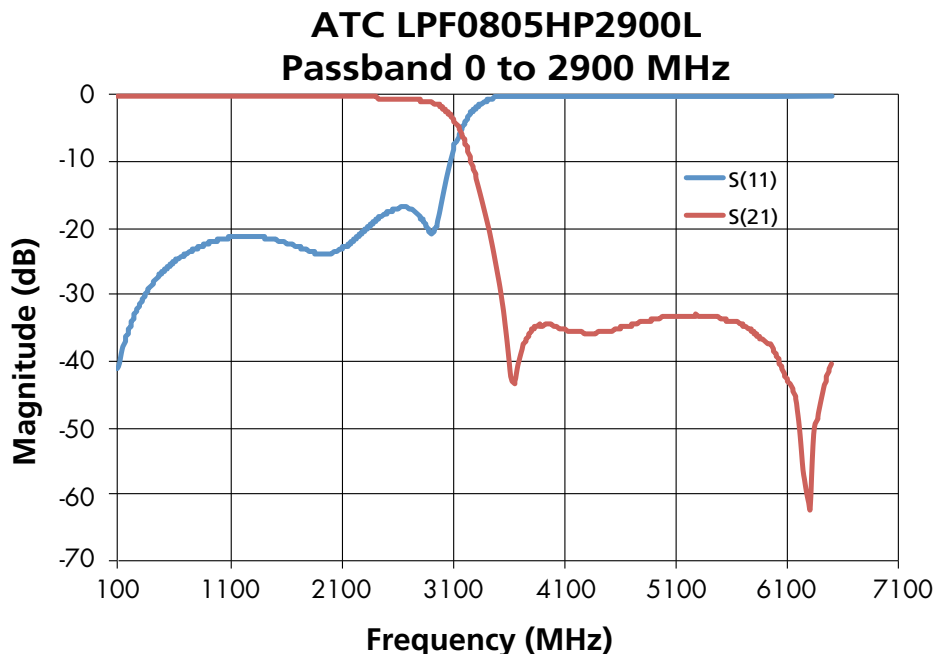
ATC's 0805 HP LPF Series High Performance Thin Film SMT Low Pass Filters offer superb high frequency performance in a low profile EIA style package. The 0805 HP LPF Series offers sharp cut-off response, excellent stopband rejection, low passband insertion loss with 50 ohm input and output impedance characteristics. The superb performance of the 0805 LPF Series makes it well suited for the most demanding wireless frequency applications.



The LPF 0805 filter Series is fully tested to meet or exceed electrical, environmental and mechanical specifications. They are supplied in tape and reel making them fully compatible with high speed automated pick-and-place manufacturing.

Applications:

- Wireless Communications (Cellular and PCS)
- Wireless LAN's
- Public Safety Radio (P25)
- LTE
- ISM
- Global Navigation Satellite Systems (GNSS)



AMERICAN TECHNICAL CERAMICS

ATC // AVX Thin Film Technologies

tfsales@atceramics.com

ATC North America

sales@atceramics.com



THE ENGINEERS' CHOICE®

www.atceramics.com

ATC # 001-1156
Rev. B, 6/17

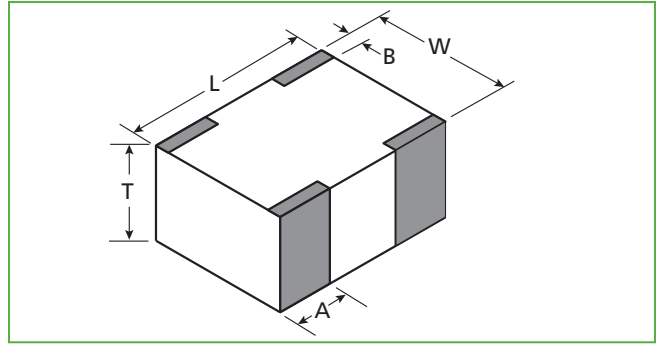
ATC 0805 HIGH PERFORMANCE LOW PASS FILTER

Dimensions

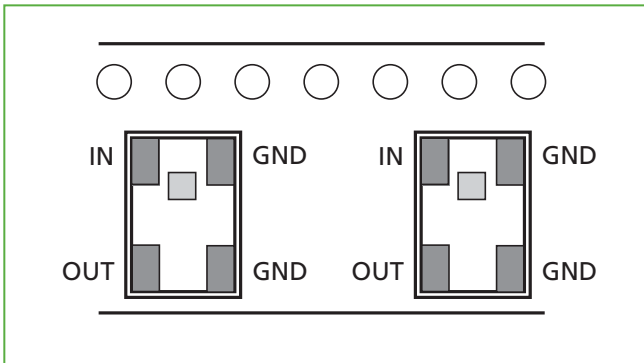
Size (EIA)	Length (L)	Width (W)	Thickness (T)	A	B
0805	0.080 ± 0.004 (2.03 ± 0.10)	0.061 ± 0.004 (1.55 ± 0.10)	0.031 ± 0.010 (0.80 ± 0.25)	0.022 ± 0.004 (0.56 ± 0.10)	0.014 ± 0.006 (0.35 ± 0.15)

inches (mm)

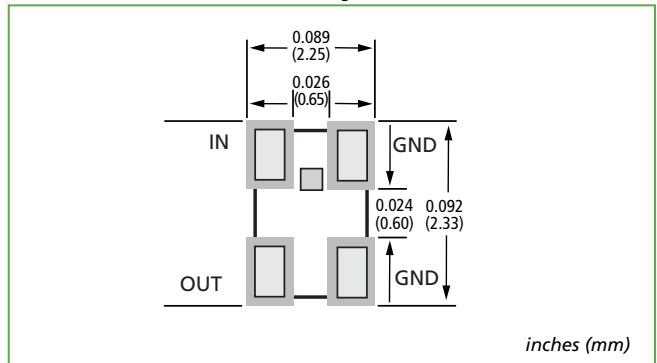
Mechanical Configurations



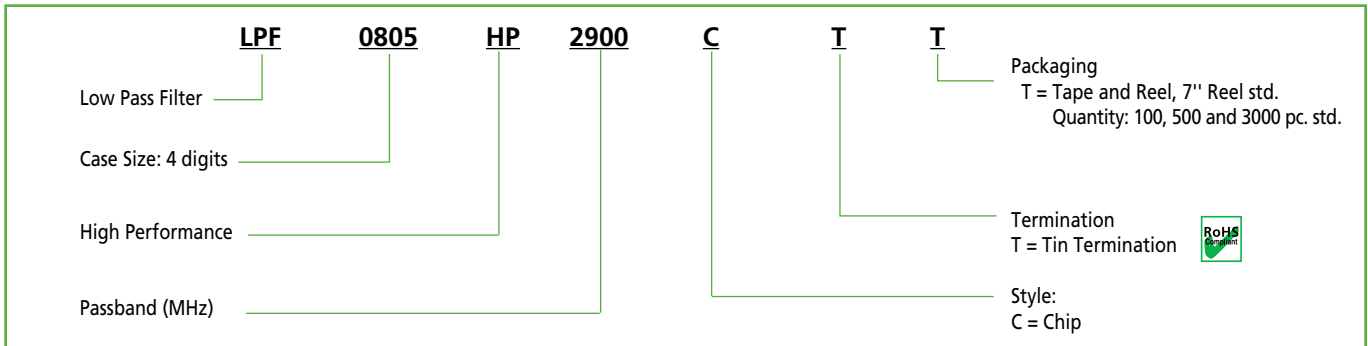
Terminals and Orientation in Tape (Top View)



Recommended Pad Layout Dimensions



ATC Part Number Code



The above part number refers to a Low Pass Filter, (EIA case size 0805), High Performance, Passband DC to 2900 MHz, Chip (C) Style, Tin Termination

ATC accepts orders for our parts using designations *with* or *without* the "ATC" prefix. Both methods of defining the part number are equivalent, i.e., part numbers referenced with the "ATC" prefix are interchangeable to parts referenced without the "ATC" prefix. Customers are free to use either in specifying or procuring parts from American Technical Ceramics.

For additional information and catalogs contact your ATC representative or call direct at +1-631-622-4700.

Consult factory for additional performance data.

Sales of ATC products are subject to the terms and conditions contained in American Technical Ceramics Corp. Terms and Conditions of Sale (ATC document #001-992). Copies of these terms and conditions will be provided upon request. They may also be viewed on ATC's website at www.atceramics.com/productfinder/default.asp. Click on the link for Terms and Conditions of Sale.

ATC has made every effort to have this information as accurate as possible. However, no responsibility is assumed by ATC for its use, nor for any infringements of rights of third parties which may result from its use. ATC reserves the right to revise the content or modify its product line without prior notice.

© 2016 American Technical Ceramics Corp. All Rights Reserved.

ATC # 001-1156, Rev. B, 6/17



AMERICAN TECHNICAL CERAMICS

ATC // AVX Thin Film Technologies

ATC North America

tfsales@atceramics.com

sales@atceramics.com

THE ENGINEERS' CHOICE®

www.atceramics.com

